

SOFTSIL LINER

SSGSL | SSGSC

Allowing maximum control without compromising comfort.



DESCRIPTION

ALPS® SoftSil Liner delivers the same medical-grade qualities as our popular Silicone Pro but with enhanced features. Made with OptiSil, our new, soft, white silicone, and grey knitted fabric, the liner effectively offers a high degree of control and excellent freedom of movement without sacrificing a comfortable suspension in the user's prostheses.

PART #	SUSPENSION
SSGSL	LOCKING
SSGSC	CUSHION

Recommended for K2-K4 activity levels.



TOP FEATURES & BENEFITS

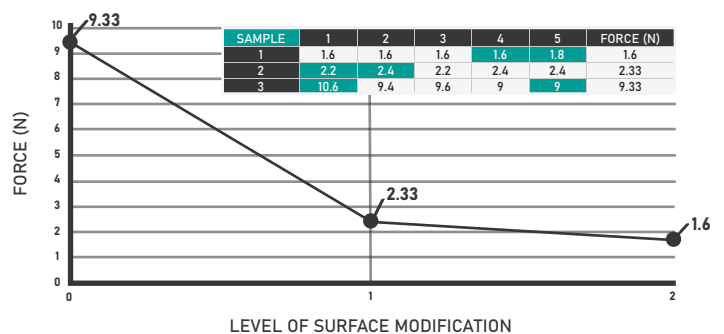
PREMIUM GREY FABRIC

OPTISIL

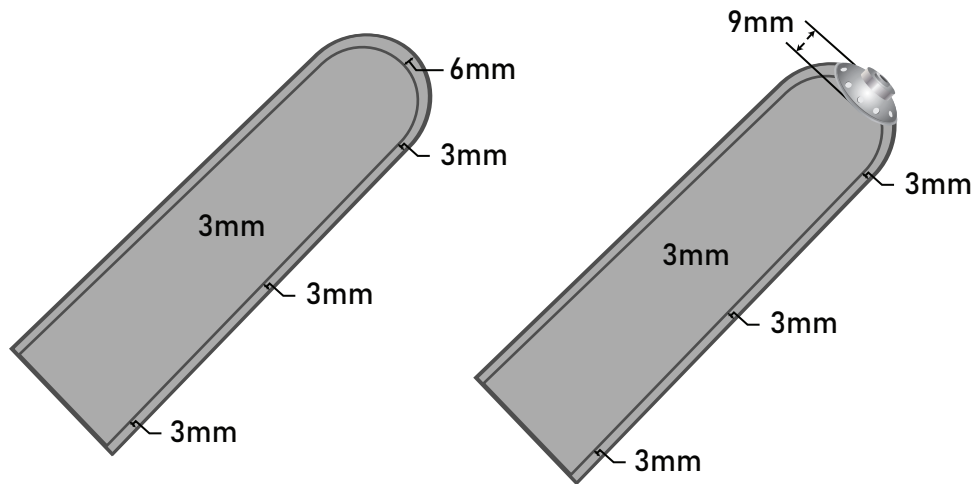
CUSHION & LOCKING

- Medical grade, white silicone with 1/5 the friction of regular silicone offers superior comfort
- Increased reduction of vertical stretch provides users with greater control and freedom of movement
- Reduced pistoning
- Skin friendly and thin
- Lightweight & cooling

SILICONE FRICTION TESTING

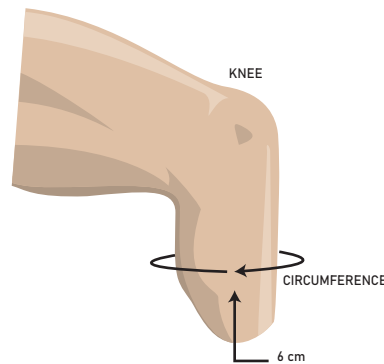


CROSS SECTION DIAGRAM



HOW TO SIZE

Measurements taken 6cm from the distal end



SIZING CHART

MEASURED SIZE (CM)	LOCKING 3.0 MM UNIFORM	CUSHION 3.0 MM UNIFORM
20-22 cm	SSGSL-20	SSGSC-20
22-24 cm	SSGSL-22	SSGSC-22
24-26 cm	SSGSL-24	SSGSC-24
26-28 cm	SSGSL-26	SSGSC-26
28-30 cm	SSGSL-28	SSGSC-28
30-32 cm	SSGSL-30	SSGSC-30
32-35 cm	SSGSL-32	SSGSC-32
35-38 cm	SSGSL-35	SSGSC-35
38-41 cm	SSGSL-38	SSGSC-38
41-44 cm	SSGSL-41	SSGSC-41
44-47 cm	SSGSL-44	SSGSC-44