

# PROSTRIDE™

## PSMPK

An intuitive microprocessor prosthetic knee that effortlessly adapts to the patient's gait speed, enhancing mobility and independence.



### DESCRIPTION

ProStride™ knee is an advanced artificial joint designed to provide users with an easy-to-use, safe, comfortable, and energy-efficient walking experience.

ProStride™ includes microprocessor technology and a polycentric design, helping users easily initiate the swing phase while conserving energy, adapting to a wide range of walking conditions, and continuously adjusting to users' gait over time.

PART #	DESCRIPTION
PSMPK	ProStride, microprocessor controlled Knee

Recommended for K2-K3 activity levels.



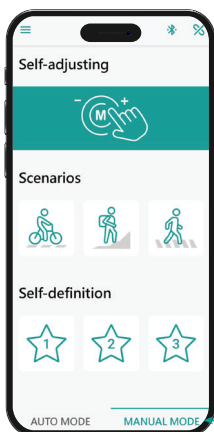
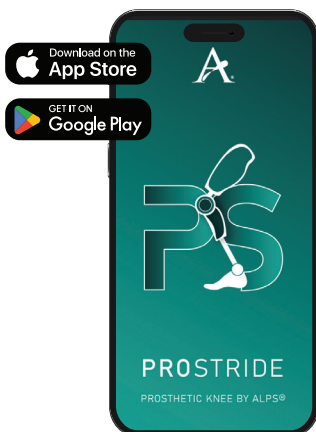
### TOP FEATURES & BENEFITS

SMART PROGRAMMING

SIMPLE SETUP

EASY TO USE

SMOOTH GAIT CYCLE



User-friendly app



Quick and easy programming



Allows users to customize settings to meet specific activity needs



3 sensors that quickly adapt to the user's walking needs



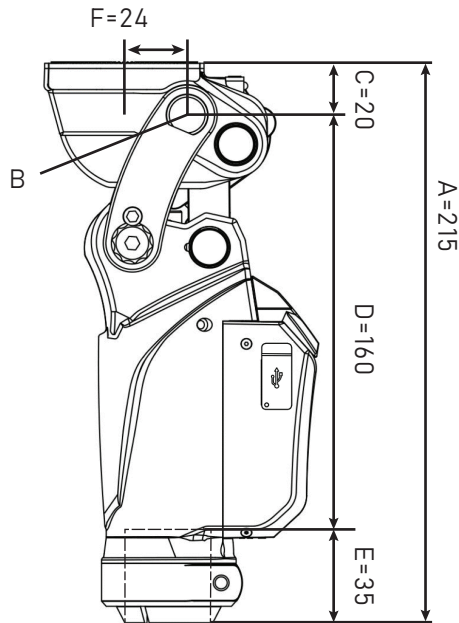
Enhanced foot clearance



Splash-Resistant (IP44)

# PROSTRIDE TECHNICAL DETAILS

## DIMENSIONS



- A System Height
- B Alignment Reference Point
- C Proximal build height up to the alignment reference point
- D Distal build height up to the alignment reference point
- E Tube insertion length
- F Centro-Bolt to Alignment Reference

Note: All measurements in mm

## SPECIFICATIONS

Material	Aluminum alloy (mainly), Stainless steel
System Weight	1.216 gr / 2.68 lbs
Maximum flexion angle	142 °
Maximum Body Weight	125 kg / 275 lbs
Proximal Connection	For connection with standard 4-hole adaptor
Pylon Diameter	30 mm / 1.18 in
Activity Level	K2-K3
Compatible Software	Mobile App compatible with Android 9 or later version and iOS 15 or later version
Battery Life	Up to 3 days under normal usage
Ingress Protection Rating	IP44 (Splash-Resistant)



Tel +420 377 223 127 | Fax +420 227 204 511  
www.easyliner.eu | info@easyliner.eu  
Božkovské náměstí 17/21, 32600 Plzeň – Czech Republic

